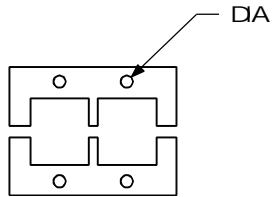
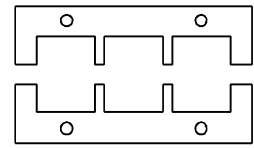


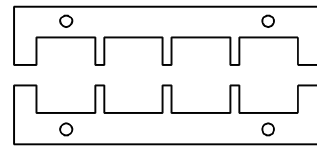
THE INFORMATION CONTAINED IN THIS DRAWING IS THE SOLE PROPERTY OF ANDERSON POWER PRODUCTS. ANY REPRODUCTION IN PART OR WHOLE WITHOUT THE WRITTEN PERMISSION OF ANDERSON POWER PRODUCTS IS PROHIBITED.



2 OR 4 POLE



3 OR 6 POLE



4 POLE

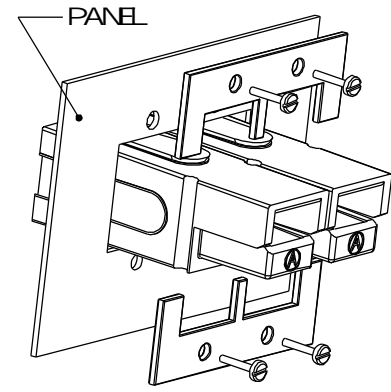
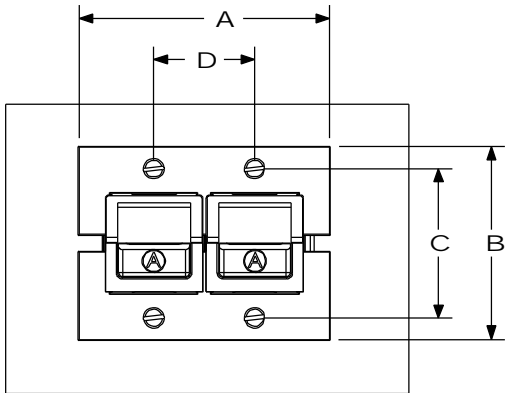


TABLE OF MOUNTING CLAMPS FOR PP75-PP180

CAT. NO.	PP Series	# of Poles	A		B		C		D		DIA	
			IN	MM	IN	MM	IN	MM	IN	MM	IN	MM
<b>1463G1</b>	PP75	2	1.62	41.1	1.36	34.5	1.06	26.9	1.25	31.7	.16	4.0
		4	1.62	41.1	1.98	50.3	1.68	42.7	1.25	31.7	.16	4.0
<b>1463G2</b>	PP75	3	2.25	57.2	1.36	34.5	1.06	26.9	1.88	47.8	.16	4.0
		6	2.25	57.2	1.98	50.3	1.68	42.7	1.88	47.8	.16	4.0
<b>1464G1</b>	PP120	2	2.38	60.5	1.88	47.8	1.50	38.1	1.75	44.4	.16	4.0
		4	2.38	60.5	2.76	70.1	2.38	60.5	1.75	44.4	.16	4.0
<b>1464G2*</b>	PP120	3	3.25	82.6	1.88	47.8	1.50	38.1	2.62	66.5	.16	4.0
<b>1465G1*</b>	PP180	2	2.81	71.4	2.18	55.4	1.68	42.7	1.12	28.4	.19	4.8
<b>1465G2*</b>	PP180	3	3.97	100.8	2.18	55.4	1.68	42.7	2.25	57.2	.19	4.8

\* SEE NOTE 2

NOTES

1. MOUNTING CLAMPS SOLD IN PAIRS. SCREWS NOT INCLUDED
2. PP120 3-POLE AND PP180 2 AND 3-POLE MOUNTING CLAMPS ARE FOR SINGLE ROWS ONLY.

ITEM NO.	PART OR IDENTIFYING NO.	NOMENCLATURE OR DESCRIPTION	MATERIAL SPECIFICATION	QTY RECD	
COPYRIGHT 1999 ANDERSON POWER PRODUCTS. ALL RIGHTS RESERVED. UNAUTHORIZED REPRODUCTION HEREBY PROHIBITED.					
DIMENSIONS ARE IN INCHES DIMENSIONS IN PARENTHESES [ ] ARE IN MILLIMETERS		CAD GENERATED DRAWING, DO NOT MANUALLY UPDATE	<b>ANDERSON POWER PRODUCTS</b>  <b>MOUNTING CLAMPS FOR PP75-PP180</b>		
TOLERANCES ARE: .2R - .02 [ ± .5 ]		APPROVALS			DATE
MATERIALS AL - .003 THK		DRAWN			CMS 11/1/99
FINISH		CHECKED			DJD 11/3/99
NEXT ASSY	USED ON	RESP ENG	UFN 11/4/99	SIZE SPECIFICATION	
APPLICATION	DO NOT SCALE DRAWING	MFG ENG	CHB 11/4/99	11420/S1	
		QUAL ENG	RPO 11/4/99	SCALE	
				NONE	
				CAD FILES Q13/	
				SHEET 1 OF 1	

