

8

7

6

5

4

3

2

1

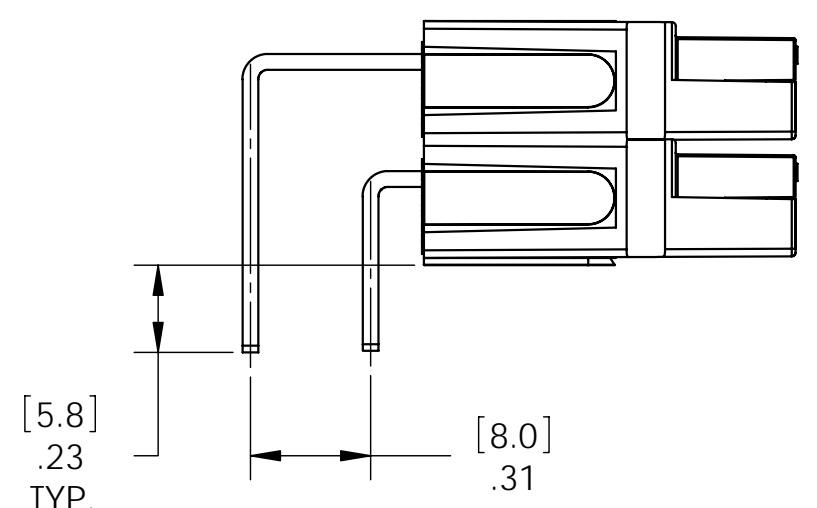
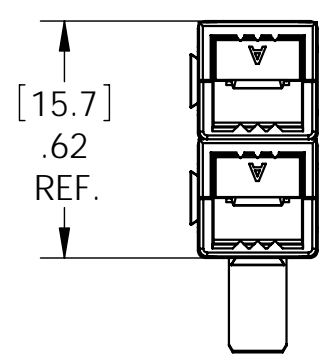
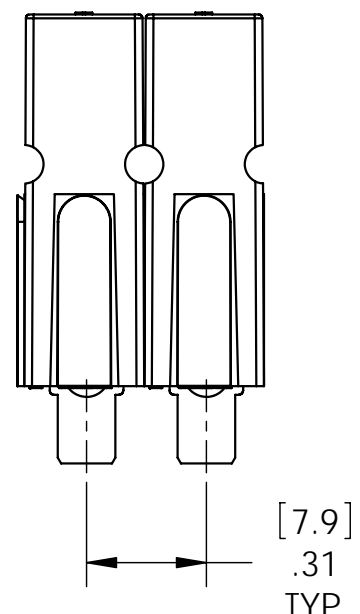
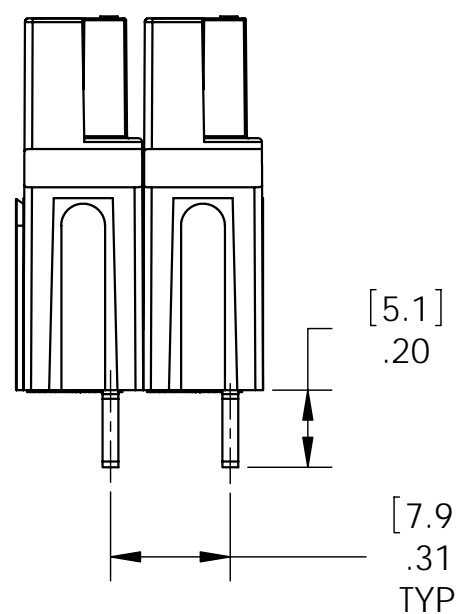
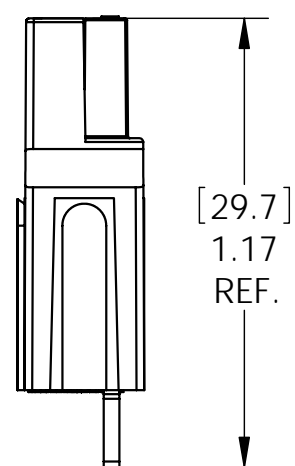
THE INFORMATION CONTAINED IN THIS DRAWING IS THE SOLE PROPERTY OF ANDERSON POWER PRODUCTS. ANY REPRODUCTION IN PART OR WHOLE WITHOUT THE WRITTEN PERMISSION OF ANDERSON POWER PRODUCTS IS PROHIBITED.

Copyright 2006

ANDERSON POWER PRODUCTS RESERVES THE RIGHT TO ALTER PRODUCT TYPES, THEIR TECHNICAL DATA, DIMENSION, STYLE AND ACCESSORIES WITHOUT PRIOR NOTIFICATION.

E

E



D

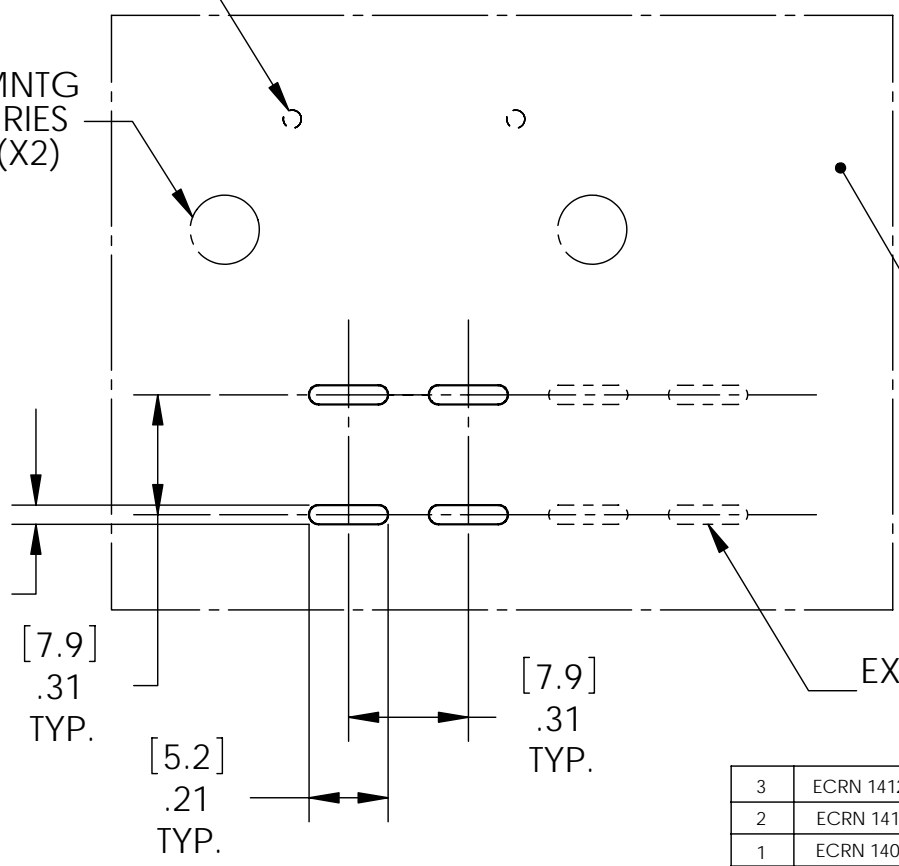
D

C

C

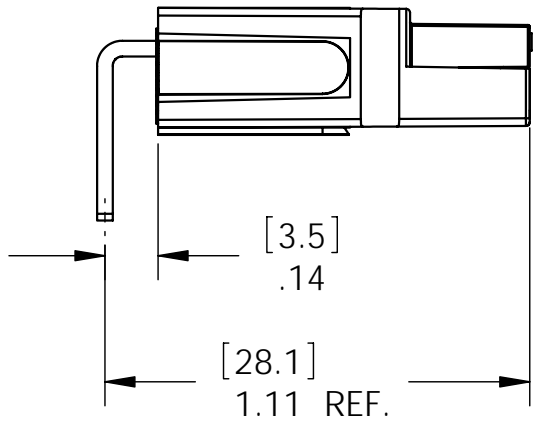
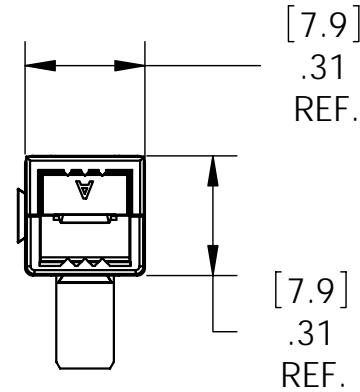
FOR OPTIONAL STAPLE ACCESSORIES SEE DATA SHEET (X2)

FOR OPTIONAL MNTG WING ACCESSORIES SEE DATA SHEET (X2)



SAMPLE PCB LAYOUT

EXPAND AS NECESSARY PER APPLICATION



B

B

A

A

DIMENSIONS ARE IN: INCH[MM]		APPROVALS		 <b>ANDERSON POWER PRODUCTS</b>																
UNLESS OTHERWISE STATED		DRAWN	CPP 2-9-06		<b>TITLE</b> HIGH POWER PCB SERIES 45 AMP PCB POWERPOLE SALES OUTLINE DRAWING															
TOLERANCES:		CHECKED	BD 2-10-06																	
DECIMALS (INCH)	DECIMALS (MM)	ANGLES																		
.XX ±.02	.X ±.5	±2°																		
SURFACE FINISH:		MFG APP	DAM 2-10-06																	
MACHINED 128 [3.2] ✓		QC APP	UFN 2-10-06																	
MOLDED 64 [1.6] ✓		ENG APP	MAW 2-10-06																	
MATERIAL: SEE B/M		SIZE	B/A3	DWG NO. B02021S																
FINISH: SEE B/M		SCALE	NONE	CADFILE 02502																
		-CAD GENERATED DRAWING- DO NOT MANUALLY UPDATE DO NOT SCALE		REV. 3																
<table border="1"> <tr> <td>3</td> <td>ECRN 14124 - ADD SHEET 2</td> <td>AMS</td> <td>05/02/07</td> </tr> <tr> <td>2</td> <td>ECRN 14129 - ALTER APPEARANCE OF LEAD-IN</td> <td>AMS</td> <td>03/30/07</td> </tr> <tr> <td>1</td> <td>ECRN 14098 - ADD BOARD LAYOUT, REMOVE SHEET 2</td> <td>AMS</td> <td>01/19/07</td> </tr> <tr> <td>REV.</td> <td>DESCRIPTION OF CHANGES</td> <td>APPROVED</td> <td>DATE</td> </tr> </table>		3	ECRN 14124 - ADD SHEET 2	AMS	05/02/07	2	ECRN 14129 - ALTER APPEARANCE OF LEAD-IN	AMS	03/30/07	1	ECRN 14098 - ADD BOARD LAYOUT, REMOVE SHEET 2	AMS	01/19/07	REV.	DESCRIPTION OF CHANGES	APPROVED	DATE	SHEET 1 OF 2		
3	ECRN 14124 - ADD SHEET 2	AMS	05/02/07																	
2	ECRN 14129 - ALTER APPEARANCE OF LEAD-IN	AMS	03/30/07																	
1	ECRN 14098 - ADD BOARD LAYOUT, REMOVE SHEET 2	AMS	01/19/07																	
REV.	DESCRIPTION OF CHANGES	APPROVED	DATE																	

8

7

6

5

4

3

2

1

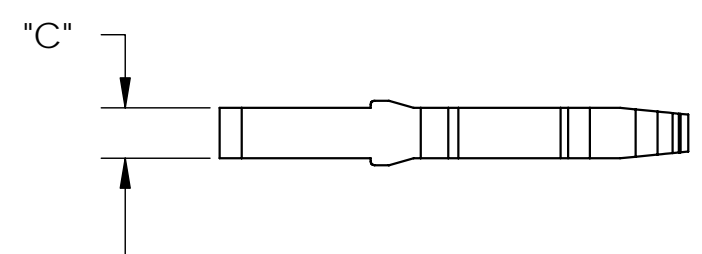
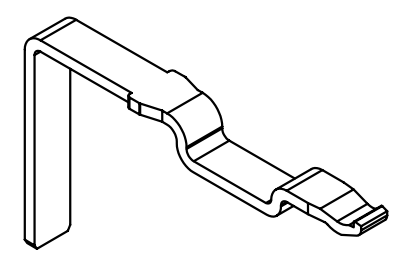
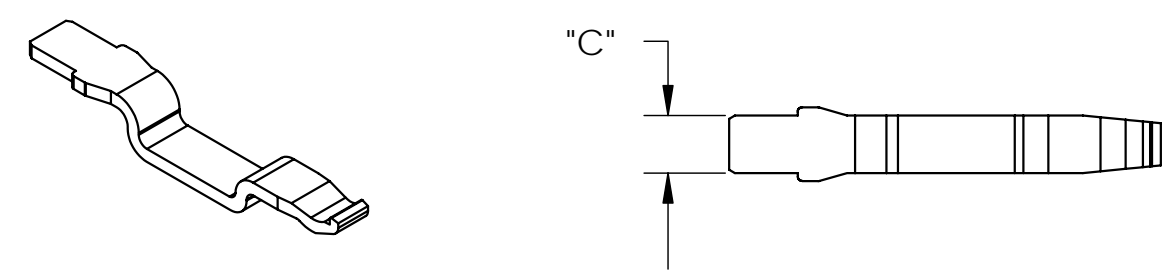
THE INFORMATION CONTAINED IN THIS DRAWING IS THE SOLE PROPERTY OF ANDERSON POWER PRODUCTS. ANY REPRODUCTION IN PART OR WHOLE WITHOUT THE WRITTEN PERMISSION OF ANDERSON POWER PRODUCTS IS PROHIBITED.

Copyright 2007

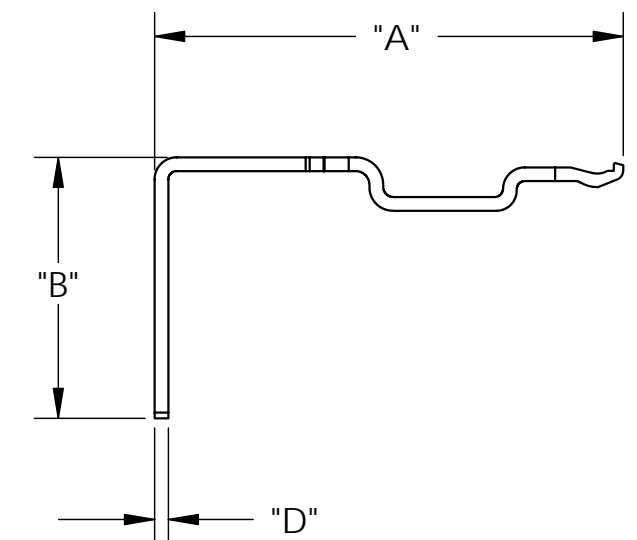
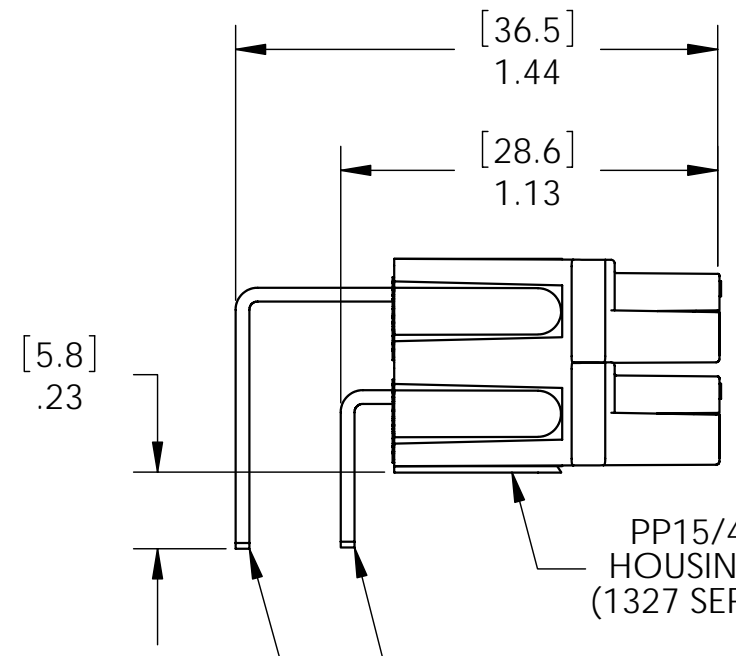
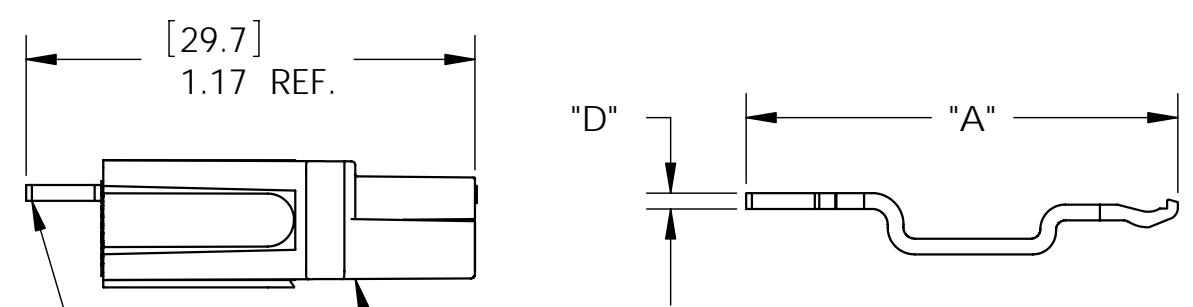
ANDERSON POWER PRODUCTS RESERVES THE RIGHT TO ALTER PRODUCT TYPES, THEIR TECHNICAL DATA, DIMENSION, STYLE AND ACCESSORIES WITHOUT PRIOR NOTIFICATION.

8 7 6 5 4 3 2 1

E



D



C

PP15/45 HOUSINGS (1327 SERIES)  
STRAIGHT CONTACT VERTICAL MOUNT CAT. NO. 1335G1

PP15/45 HOUSINGS (1327 SERIES)

RIGHT ANGLE CONTACT HORIZONTAL (BOTTOM) CAT. NO. 1336G1

RIGHT ANGLE CONTACT HORIZONTAL (TOP) CAT. NO. 1337G1

B

- NOTES:
- FOR USE WITH 1327 SERIES HOUSINGS (SOLD SEPARATELY)
  - SEE DATA SHEET FOR PCB LAYOUTS AND MOUNTING ACCESSORIES

A

PART NUMBER	DESCRIPTION	"A"		"B"		"C"		"D"	
		INCH	[MM]	INCH	[MM]	INCH	[MM]	INCH	[MM]
1335G1	HP PCB, STRAIGHT	1.12	28.5	N/A		0.15	3.8	0.04	1.0
1336G1	HP PCB, RIGHT-ANGLE, BOTTOM	1.08	27.5	0.47	11.9	0.15	3.8	0.04	1.0
1337G1	HP PCB, RIGHT-ANGLE, TOP	1.40	35.4	0.78	19.7	0.15	3.8	0.04	1.0

DIMENSIONS ARE IN:	INCH[MM]	APPROVALS		 ANDERSON POWER PRODUCTS TITLE HIGH POWER PCB SERIES 45 AMP PCB POWERPOLE SALES OUTLINE DRAWING
UNLESS OTHERWISE STATED		DRAWN	CPP 02-09-06	
TOLERANCES:		CHECKED	BD 02-10-06	
DECIMALS (INCH)	DECIMALS (MM)	ANGLES	MFG APP	
.XX ±.02	.X ±.5	±2°	DAM 02-10-06	
SURFACE FINISH:		QC APP	UFN 02-10-06	
MACHINED	128 [3.2] ✓	ENG APP	MAW 02-10-06	
MOLDED	64 [1.6] ✓	SIZE	B/A3	
MATERIAL:	SEE B/M	DWG NO.	B02021S	
FINISH:	SEE B/M	REV.	3	
3rd ANGLE PROJECTION		-CAD GENERATED DRAWING- DO NOT MANUALLY UPDATE DO NOT SCALE		SCALE
		NONE		CADFILE
		02502		SHEET
		2 OF 2		

REV.	DESCRIPTION OF CHANGES	APPROVED	DATE
	SEE SHEET 1		

8 7 6 5 4 3 2 1