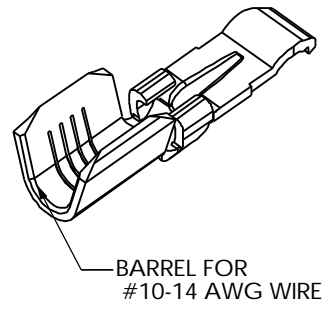
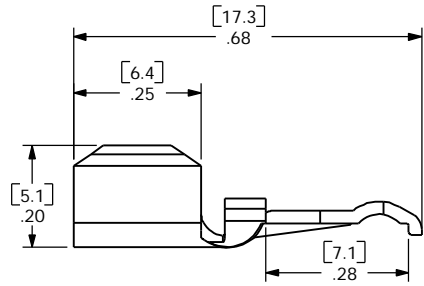


THE INFORMATION CONTAINED IN THIS DRAWING IS THE SOLE PROPERTY OF ANDERSON POWER PRODUCTS. ANY REPRODUCTION IN PART OR WHOLE WITHOUT THE WRITTEN PERMISSION OF ANDERSON POWER PRODUCTS IS PROHIBITED.

REV.	DESCRIPTION OF CHANGES	BY:	DATE
2	ECRN: 13212 - REDRAWN	CMS	6/15/99



ITEM NO.	PART OR IDENTIFYING NO.	NOMENCLATURE OR DESCRIPTION	MATERIAL SPECIFICATION	QTY REQD
COPYRIGHT 1999 ANDERSON POWER PRODUCTS. ALL RIGHTS RESERVED. UNAUTHORIZED REPRODUCTION HEREBY PROHIBITED.				
DIMENSIONS ARE IN INCHES DIMENSIONS IN PARENTHESES [] ARE IN MILLIMETERS		ANDERSON POWER PRODUCTS		
TOLERANCES ARE: ZPL- & .02 [±.5]		CAD GENERATED DRAWING. DO NOT MANUALLY UPDATE		
MATERIALS: COPPER		APPROVALS		
FINISH HOT TIN DIP		DRAWN	AC	3/11/94
NEXT ASSY		CHECKED	DJD	3/11/94
USED ON		RESP'NG	UFN	3/11/94
APPLICATION		MFG ENG	CHB	3/11/94
DO NOT SCALE DRAWING		DUAL ENG	HN	3/11/94
		SIZE	SPECIFICATION:	
		A	112718S4	
		SCALE	NONE	
		FILE:	CADFILES/01037	
				REV. 2
				SHEET 1 OF 1