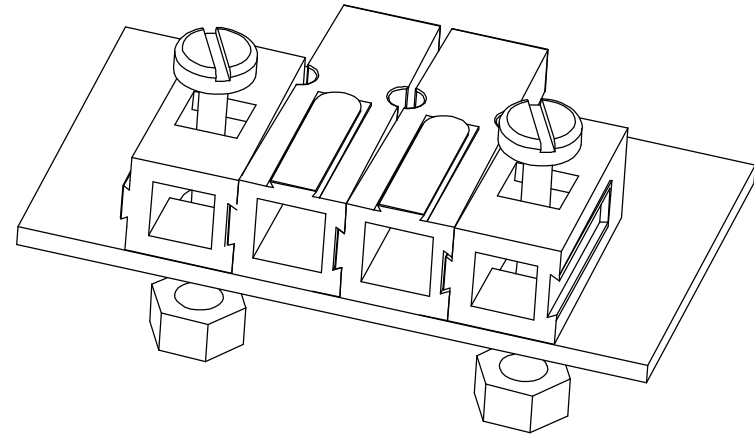
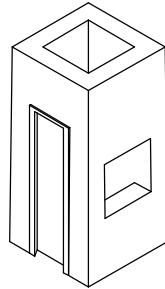
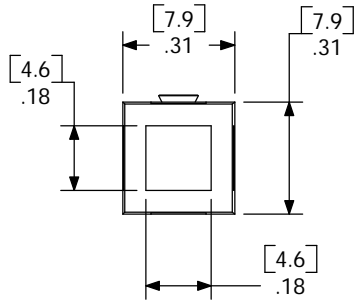
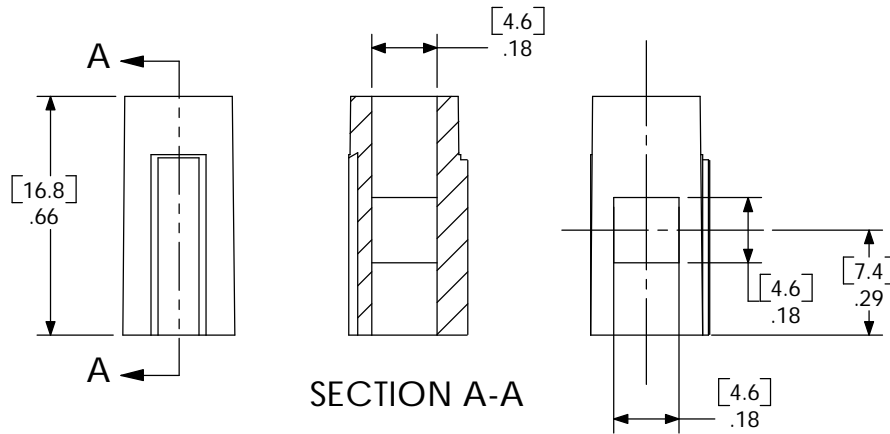


THE INFORMATION CONTAINED IN THIS DRAWING IS THE SOLE PROPERTY OF ANDERSON POWER PRODUCTS. ANY REPRODUCTION IN PART OR WHOLE WITHOUT THE WRITTEN PERMISSION OF ANDERSON POWER PRODUCTS IS PROHIBITED.

DATE
BY:
DESCRIPTION OF CHANGES
REV.



TYPICAL USE



SECTION A-A

NOTES:

- IT IS RECOMMENDED THAT POWERPOLE MOUNTING WINGS BE USED IN PAIRS
- POWERPOLE CONNECTORS AND HARDWARE NOT INCLUDED
- WINGS ARE AVAILABLE IN BLUE (1399G8) OR RED (1399G9)

ITEM NO.	PART OR IDENTIFYING NO.	NOMENCLATURE OR DESCRIPTION	MATERIAL SPECIFICATION	QTY RECD
COPYRIGHT 1999 ANDERSON POWER PRODUCTS. ALL RIGHTS RESERVED. UNAUTHORIZED REPRODUCTION HEREBY PROHIBITED.				
DIMENSIONS ARE IN INCHES DIMENSIONS IN PARENTHESES [] ARE IN MILLIMETERS		CAD GENERATED DRAWING. DO NOT MANUALLY UPDATE	ANDERSON POWER PRODUCTS	
TOLERANCES ARE: 2PL- ±.02 [±.5]		APPROVALS	DATE	
MATERIALS: PC		DRAWN CMS	10/29/99	
FINISH		CHECKED DJD	11/1/99	
NEXT ASSY		RESP ENG UFN	5/31/00	
USED ON		MFG ENG CHB	5/31/00	
APPLICATION		QUAL ENG RPO	5/31/00	
DO NOT SCALE DRAWING		SCALE NONE	CADFILES/01135	SHEET 1 OF 1
		SIZE A	SPECIFICATION: 114206S1	REV 0