

# Remote Display

## Model: RD-10BC

### Introduction

Thank you for purchasing the Remote Display System. Please read this instruction manual carefully before operating the Remote Display. Keep this manual in a safe place for future reference.

The following items are included:

- 1 x Remote Display
- 1 x Connection cable (10M)

### Connection and Normal Operation

Connect the cable to the Remote Display and to the Smart Battery Charger's remote display interface respectively (Fig. 1).

There is no ON/OFF switch on the remote display. It is working simultaneous in parallel to the Smart Battery charger. As soon as the Remote Display is connected to the Smart Battery Charger, it shows the charging status just as it appears on charger's display panel.

### Display and Indications:

- POWER ON - Green LED, Input AC voltage present
- FLOAT - Green LED, 4th stage constant charging
- ABSORPTION - Yellow LED, 3rd stage charging
- BULK - Red LED, 1st and 2nd stage boost charging

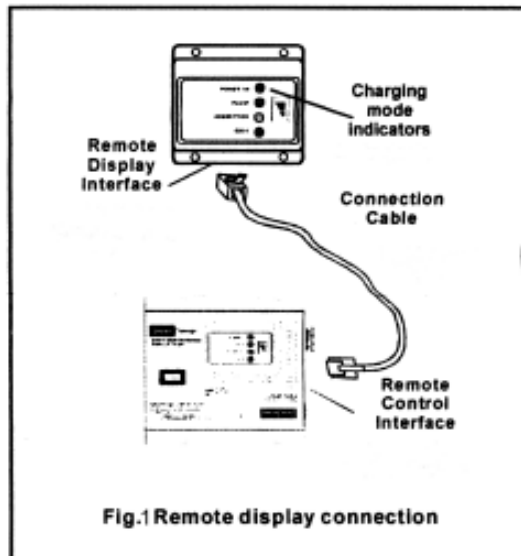
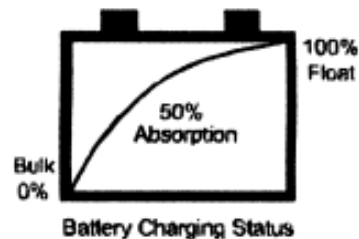


Fig.1 Remote display connection

CE This Remote Display has been CE tested and conforms to the applicable directives and standards.



### Safety Operation

- A. If cables have to be fed through walls with sharp edge, always use tubes or ducts to prevent damage.
- B. Do not pull on the cable, fasten the device and cable securely.
- C. Use display only in the described manner.
- D. Lay the cable so that it cannot be tripped over.
- E. Children should be supervised to ensure that they do no play with display.
- F. Do not allow water to drip or splash on the display

M-RD10BC  
As of 10-09